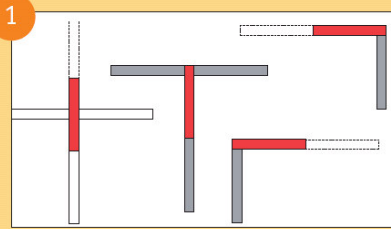
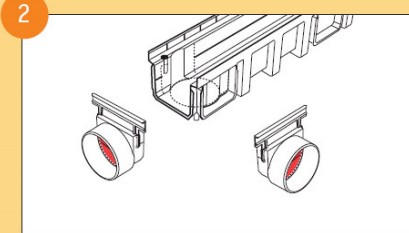


200MM CHANNEL SYSTEM

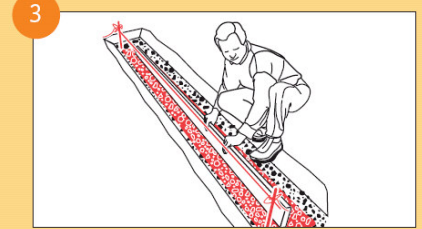
200mm Channel System Installation Instructions



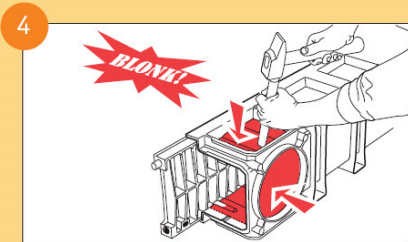
Various possibilities of connections with angles at 90° can easily be made (the red part has to be fitted last).



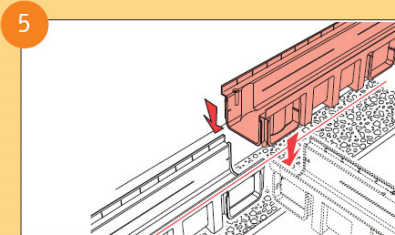
Determine the outlet unit to be used and its position in order to ensure the connection to the rainwater pipe works.



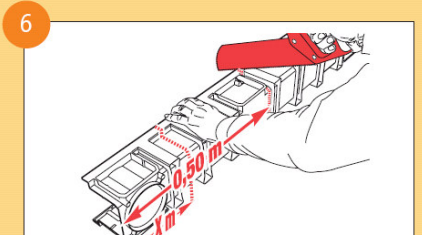
Dig a trench with adapted measures (10cm around the channels). Realise the concrete bedding according to the required depth.



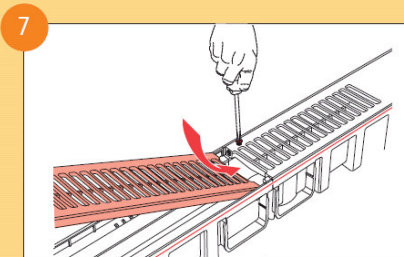
Hammer the desired outlet in and put into position the required outlet/stop end fitting.



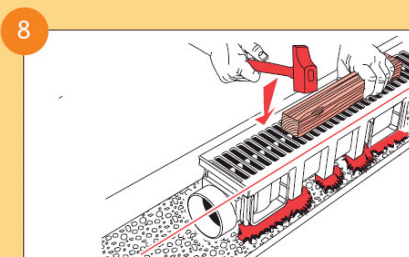
The sections of the channels which fit to each other thanks to a male/female interlocking system have to be laid on the concrete bedding.



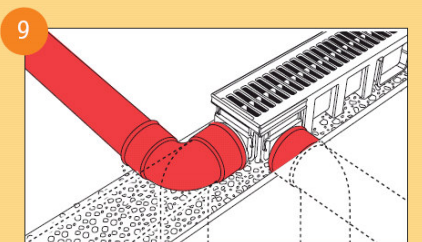
If needed, cut the last element of the channel to adapt to the required length.



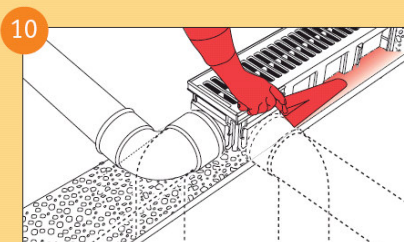
Install U-PVC gratings. *To attach your grate to your channel please see instructions below.



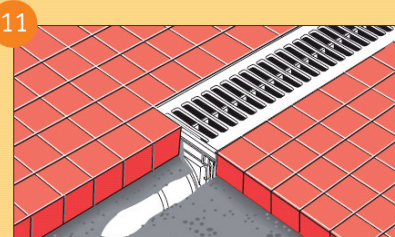
Push the channel in a few mm to get a good support with the concrete foundation.



Connect the channel to the stormwater pipe.



Realise concrete haunchings to prevent lateral forces acting on sidewalls.

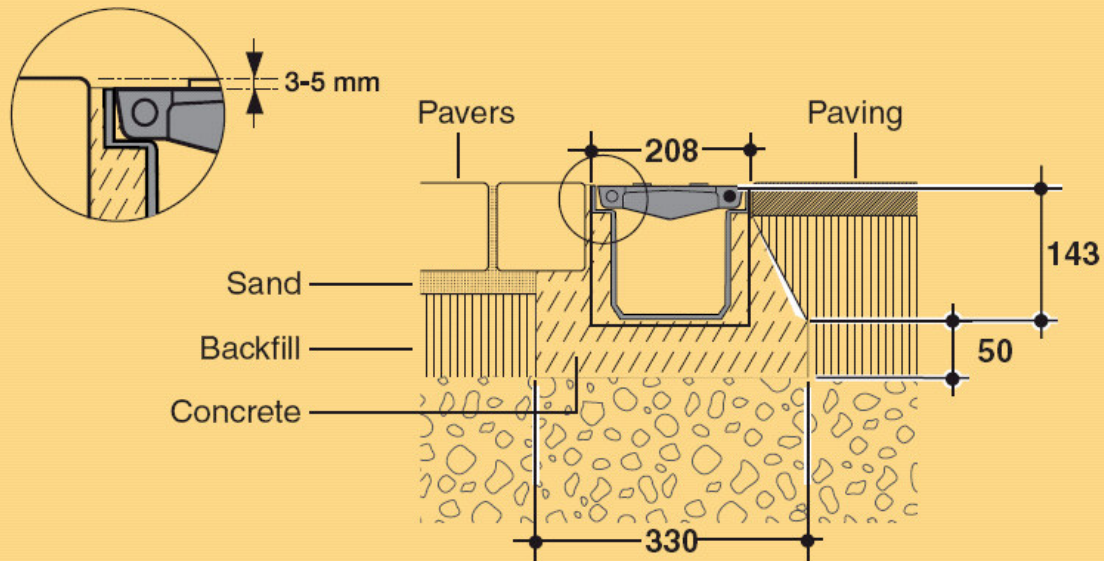


Fill in and make the finishing with paving for instance. The ground level should be 3mm above the grating one.

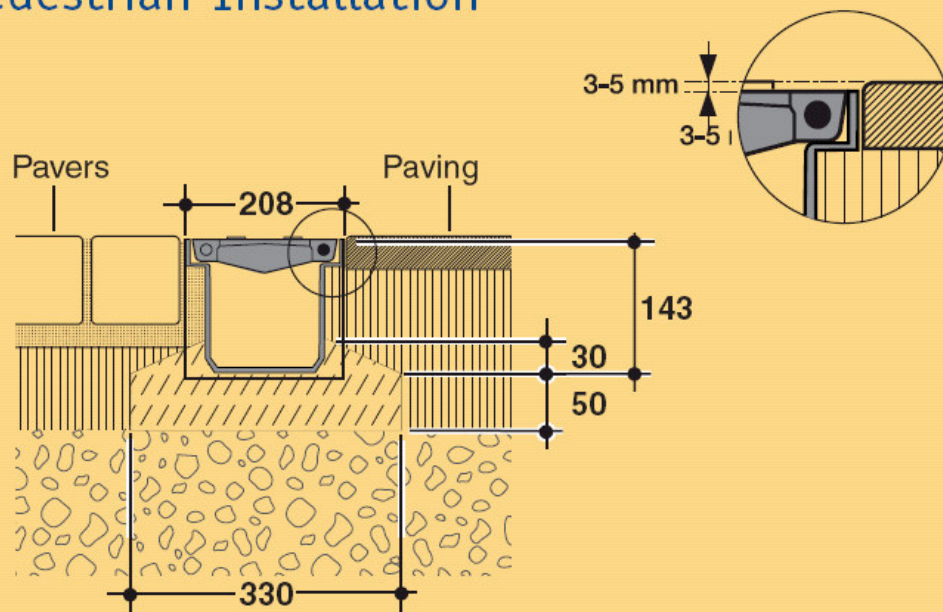
*Note:

1. Channel – Place 4 inserts per metre channel using a hex head Allen key.
2. Grates – Using a drill clear the 2 pre drilled holes on the grate, then fix the grate to the channel with the screws supplied.

Trafficable Installation



Pedestrian Installation



The concrete bed and the concreting have to be realised according to the above shown sketches. A concrete quality of 200kg/m^3 is recommended for the two types of installation. For a trafficable installation the concrete should be haunch till the lowest point of the edge of the channel.